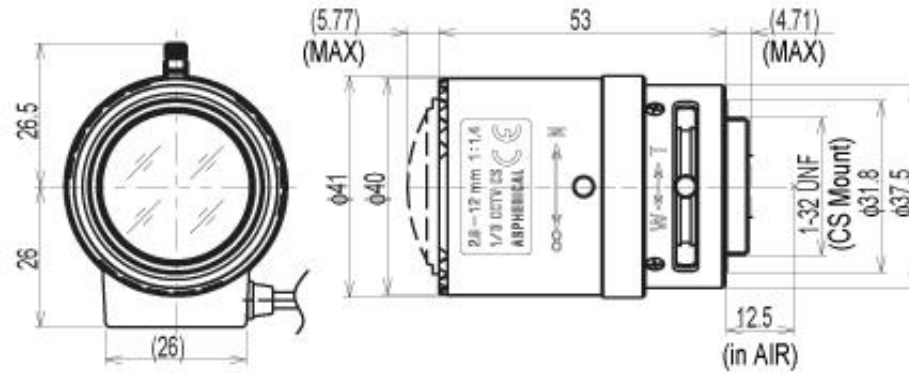


## 13VG2812ASII



### SPECIFICATIONS

13VG2812ASII

Imager Size

1/3

Mount Type

CS

Focal Length

2.8 - 12mm

Aperture Range

1.4 - 360

Wide

97.4° x 72.5°

Angle of View (Horizontal x Vertical)	Tele	24.1° x 18.1°
	Wide	72.5° x 54.1°
	1/4 Tele	18.1° x 13.6°
Focusing Range		0.3m - ∞
	Focus	Manual with Lock
Operation	Zoom	Manual with Lock
	Iris	DC Auto Iris
	Filter Size	-
Back Focus(in air)		Wide 8.61 - Tele 19.90mm
Operating Voltage		Open 3.3V Close 0.7V
Weight		71g
Operating Temperature		-20°C - +60°C
Wiring Disgram		

