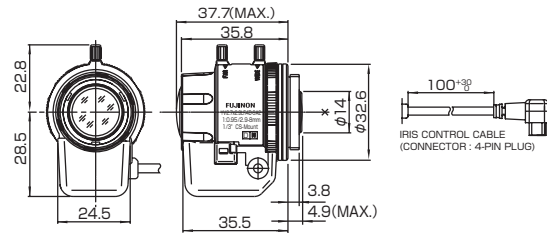


Vari-Focal (2.9-8mm)

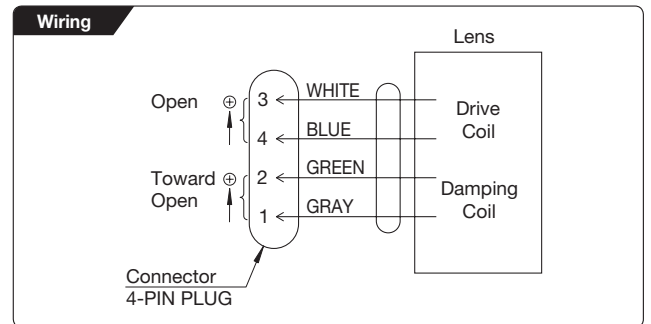
YV2.7x2.9LR4D-SA2

2.7x Applicable camera (mode) 1 2/3 1/2 1/3 1/4 For Security



Unit : mm

YV2.7x2.9LR4D-SA2			
Focal Length (mm)		2.9 - 8(2.7x)	
Iris Range		F0.95 - T360(Equivalent to F360)	
Operation	Zoom	Manual	
	Focus	Manual	
	Iris	Auto (DC type)*1	
Angle Of View (HxV)	1/3"	WIDE	94°37' × 69°30'
		TELE	35°18' × 26°26'
	1/4"	WIDE	69°29' × 51°29'
		TELE	26°22' × 19°46'
Focusing Range (From Front Of The Lens) (m)		∞ - 0.3	
Object Dimensions at M.O.D. (HxV) (mm)	1/3"	WIDE	670 × 428
		TELE	196 × 145
	1/4"	WIDE	428 × 298
		TELE	145 × 107
Back Focal Distance (in air) (mm)		7.73	
Exit Pupil Position (From Image Plane) (mm)		74	
Filter Thread (mm)		-	
Mount		CS	
Mass (g)		45	
Coil Resistance		Drive Coil	190Ω
		Damping Coil	500Ω
Current Consumption		23mA(Max.) at DC 4V	
Remarks		•With Metal Mount (*1) The iris automatically closes when the camera is turned off. YV2.7x2.9LR4D-2 : Manual Iris Type YV2.7x2.9LR4D-SA2L : Long Cable Type(230mm)	



[Lens Image]



2.9mm



8mm