



For FA/Machine Vision Fixed Focal

HF50HA-1B

Applicable camera (model)

1	2/3	1/2	1/3	1/4

FIXED

Fixed Focal

**1.5
Mega**

For Megapixel
Camera

MANUAL

Manual Iris

C-mt

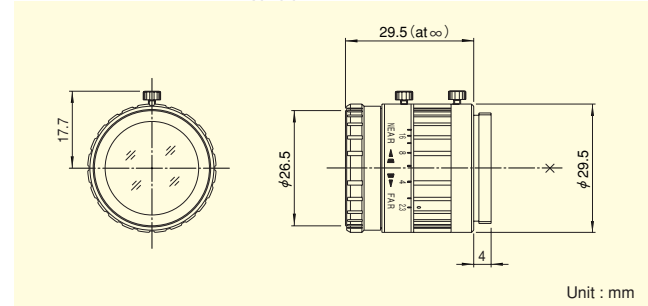
C Mount

METAL

Metal Mount



- Designed for high resolution, supporting 1.5 mega pixel cameras
- Designed for low distortion, enabling faithful image input
- Compact, lightweight and robust design, supporting various systems
- Focus & iris lock tab provided, supporting environments such as vibration



Focal Length (mm)		50
Iris Range		F2.3 ~ F22
Operation	Focus	Manual
	Iris	Manual
Angle Of View (H×V)	2/3"	10°03' × 7°33'
	1/2"	7°19' × 5°30'
	1/3"	5°30' × 4°07'
Focusing Range (From Front Of The Lens) (m)		∞ ~ 0.5
Object Dimensions at M.O.D. (H×V) (mm)	2/3"	77 × 57
	1/2"	56 × 42
	1/3"	42 × 31
Back Focal Distance (in air) (mm)		15.26
Exit Pupil Position (From Image Plane) (mm)		-25.1
Filter Thread (mm)		M25.5 × 0.5
Mount		C
Mass (g)		45

Remarks

- With Metal Mount
- With Locking Knob for Iris and Focus