



For FA/Machine Vision Fixed Focal

HF25HA-1B

Applicable camera (model)

1	2/3	1/2	1/3	1/4

FIXED

Fixed Focal

1.5 Mega

For Megapixel
Camera

MANUAL

Manual Iris

C-mt

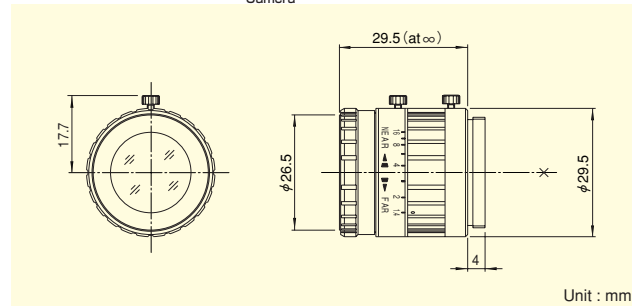
C Mount

METAL

Metal Mount



- Design achieving the high resolution, supporting up to 1.5 mega pixel cameras
- Designed for low distortion, enabling faithful image input
- Compact, lightweight and robust design, supporting various systems
- Focus & iris lock tab provided, supporting environments such as vibration



Focal Length (mm)		25
Iris Range		F1.4 ~ F22
Operation	Focus	Manual
	Iris	Manual
Angle Of View (H×V)	2/3"	19°58' × 15°02'
	1/2"	14°35' × 10°58'
	1/3"	10°58' × 8°14'
Focusing Range (From Front Of The Lens) (m)		∞ ~ 0.15
Object Dimensions at M.O.D. (H×V) (mm)	2/3"	53 × 40
	1/2"	38 × 29
	1/3"	29 × 22
Back Focal Distance (in air) (mm)		14.58
Exit Pupil Position (From Image Plane) (mm)		-32.4
Filter Thread (mm)		M25.5 × 0.5
Mount		C
Mass (g)		45

Remarks

- With Metal Mount
- With Locking Knob for Iris and Focus