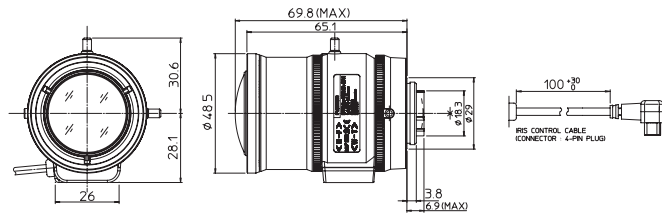


HD Vari-Focal (4 - 15.2mm)

DV3.8x4SR4A-SA1

3.8x Applicable camera (model) 1 2/3 1/1.8 1/2 1/3 1/4 For Security

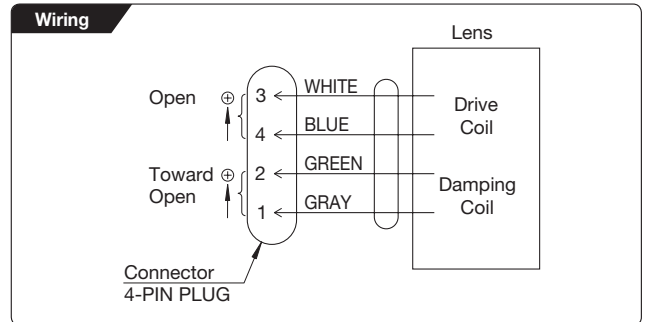


Unit : mm

DV3.8x4SR4A-SA1

Focal Length (mm)		4 - 15.2 (3.8x)	
Iris Range		F1.5 - T360	
Operation	Zoom	Manual	
	Focus	Manual	
	Iris	Auto (DC type)*1	
Angle Of View (H×V)	1/1.8"	WIDE	103°27' × 77°03'
		TELE	27°23' × 20°34'
	1/2"	WIDE	92°42' × 69°08'
		TELE	24°38' × 18°29'
	1/3"	WIDE	69°08' × 51°40'
		TELE	18°29' × 13°53'
	1/4"	WIDE	51°40' × 38°41'
		TELE	13°53' × 10°25'
Angle Of View (H×V) Aspect Ratio 16 : 9	1/1.8"	WIDE	113°02' × 62°46'
		TELE	29°48' × 16°49'
	1/2"	WIDE	101°14' × 56°21'
		TELE	26°49' × 15°07'
	1/3"	WIDE	75°25' × 42°09'
		TELE	20°08' × 11°21'
	1/4"	WIDE	56°21' × 31°34'
		TELE	15°07' × 8°31'
Focusing Range (From Front Of The Lens) (m)		∞ - 0.3	
Object Dimensions at M.O.D. (H×V) (mm)	1/1.8"	WIDE	801 × 502
		TELE	153 × 114
	1/2"	WIDE	662 × 434
		TELE	138 × 103
	1/3"	WIDE	434 × 305
		TELE	103 × 77
	1/4"	WIDE	305 × 221
		TELE	77 × 57
Object Dimensions at M.O.D.(H×V) (mm) Aspect Ratio 16 : 9	1/1.8"	WIDE	957 × 384
		TELE	168 × 93
	1/2"	WIDE	770 × 338
		TELE	150 × 84
	1/3"	WIDE	488 × 243
		TELE	112 × 63
	1/4"	WIDE	338 × 178
		TELE	84 × 47
Back Focal Distance (in air) (mm)		11.01	
Exit Pupil Position (From Image Plane) (mm)		180	
Filter Thread (mm)		-	
Mount		C	
Mass (g)		120	
Coil Resistance		Drive Coil	190Ω
		Damping Coil	500Ω
Current Consumption		23mA(Max.) at DC 4V	
Remarks		•With Metal Mount (*1) When power is turned off, iris will automatically close. DV3.8x4SR4A-SA1L : Long Cable Type (230mm)	

Wiring



[Lens Image]

